

APT GROUNDNUT HULLER

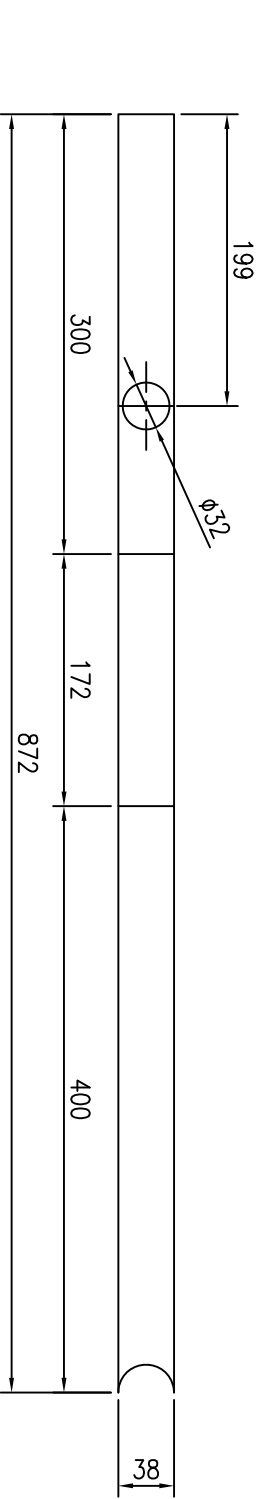
TITLE: ASSEMBLY

SCALE: 1:10

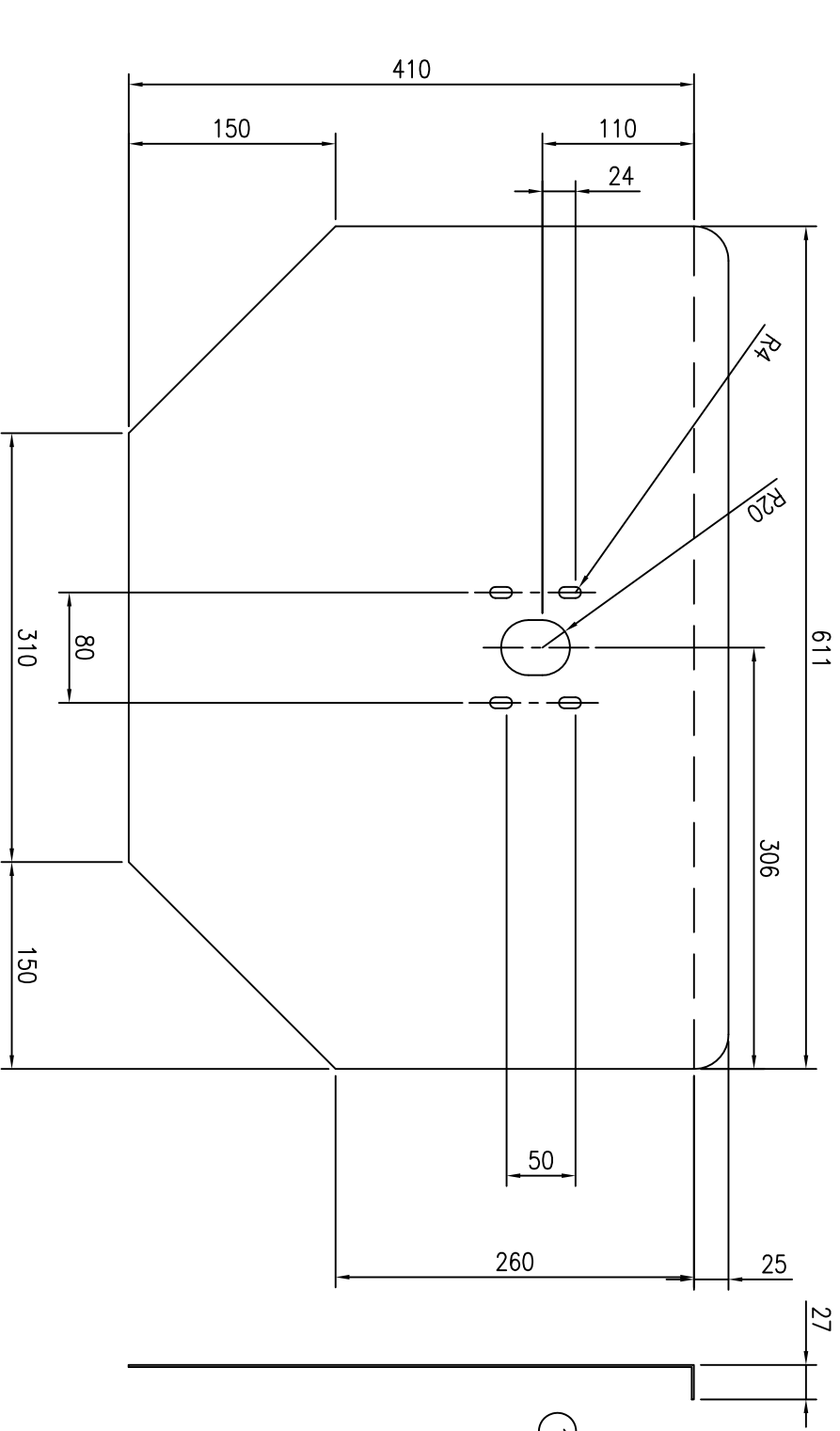
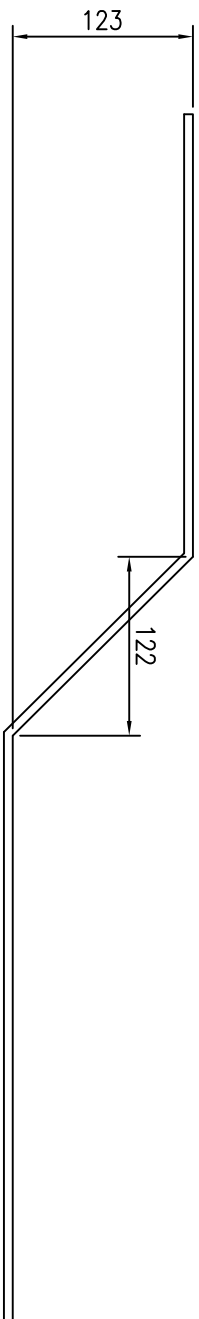
DRAWN: ABATEC PAGE: 1 of 7
CAD No: APT-10-1

No.	DESCRIPTION	QUANTITY	DIMENSIONS
1	SIDES	2	611 x 435 x 1.5mm PLATE
2	ENDS	2	360 x 285 x 1.5mm PLATE
3	GRILL BARS	22	25 x 3 x 305 FLAT BAR
4	RETAINING RINGS	2	25 x 3 x 305 FLAT BAR
5	SPINDLE	1	∅25 BAR x 340
6	PLATE	2	100 x 140 x 3mm PLATE
7	COLLAR	1	∅32 PIPE (BORE 25 MIN.) x 10
8	CRUSHER BAR	16	∅10 M.S. BAR x 305
9	PIVOT	1	∅32 PIPE (BORE 25 MIN.) x 307
10	HANDLE	2	40 x 6 x 872 FLAT BAR
11	SIDE PLATE	2	1.5mm PLATE-1/4 CIRCLE @ ∅500
12	HANDLE 'T' BAR	1	∅38 PIPE x 200
13	FEET	2	50 x 6 FLAT BAR x 500
14	LEGS	4	38 x 38 ANGLE x 714
15	JIG	1	25 x 3 FLAT BAR x 175

ApT GROUNDNUT HULLER	
TITLE: PARTS LIST	
SCALE:	
DRAWN: ABATEC	PAGE: 2 of 7
CAD No: APT-10-2	

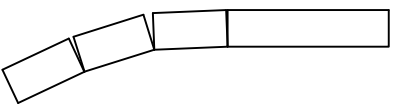
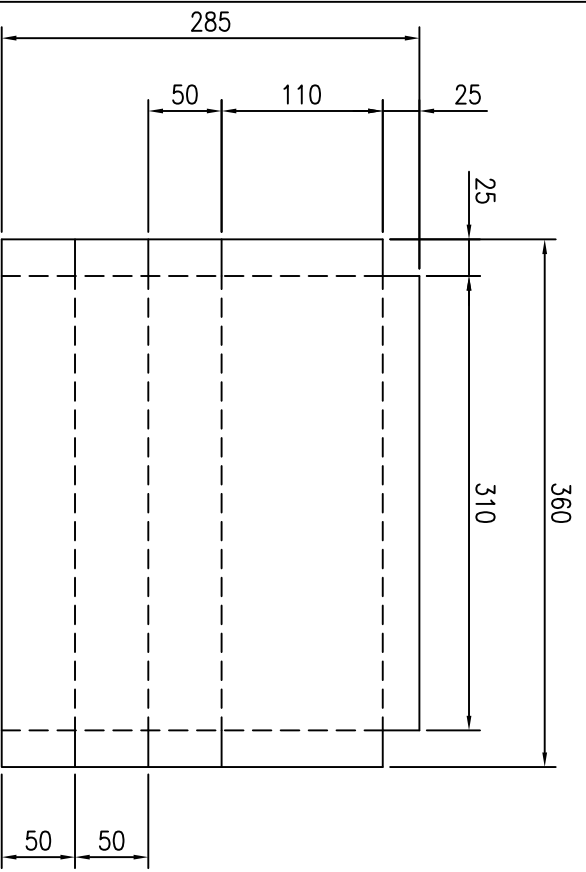


⑩ HANDLES FOR GROUNDNUT HULLER
MATERIAL: 40 x 6 FLAT BAR



① SIDES FOR GROUNDNUT HULLER
MATERIAL: 1.5mm M.S. PLATE

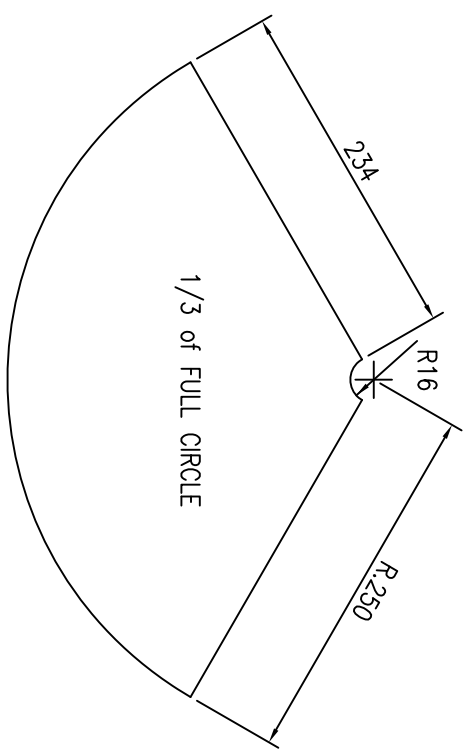
APT GROUNDNUT HULLER	
TITLE: SIDES & HANDLE DETAILS	
SCALE: 1:5	
DRAWN: ABATEC	PAGE: 3 of 7
CAD No: APT-10-3	



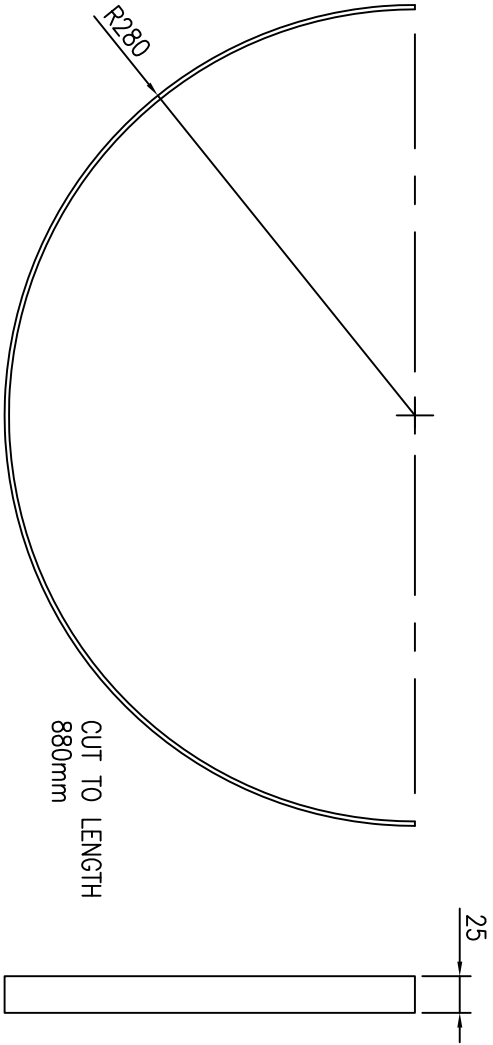
FOLDED PROFILE

FOLD TO FOLLOW
280 RADIUS.

② ENDS FOR GROUNDNUT HULLER 2-OFF
MATERIAL: 1.5mm M.S. PLATE

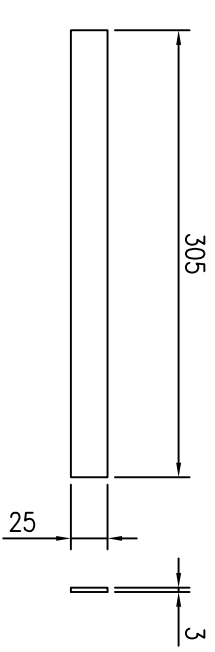


⑪ SIDE PLATE FOR GROUNDNUT HULLER 2-OFF
MATERIAL: 1.5mm M.S. PLATE



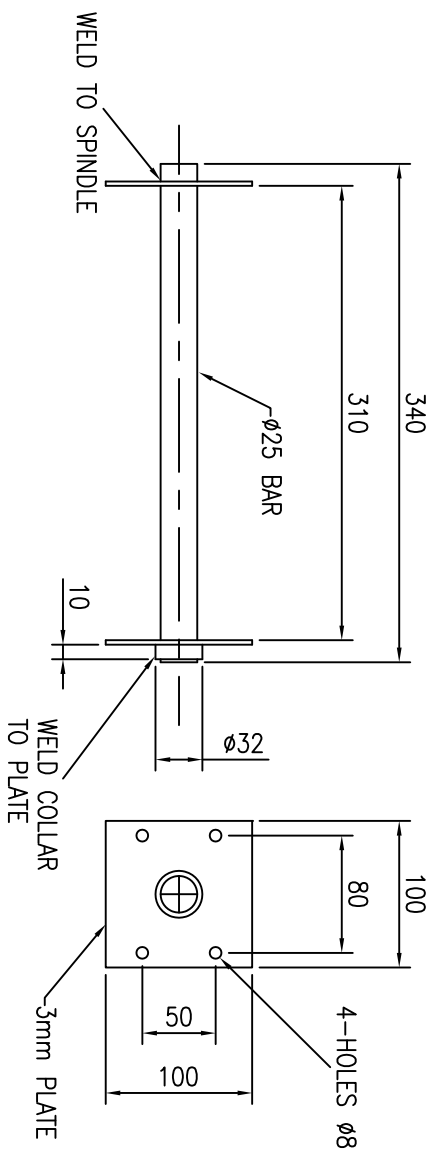
④ GRILL RETAINING RINGS FOR GROUNDNUT HULLER 2-OFF
MATERIAL: 25 x 3 FLAT BAR

CUT TO LENGTH
880mm

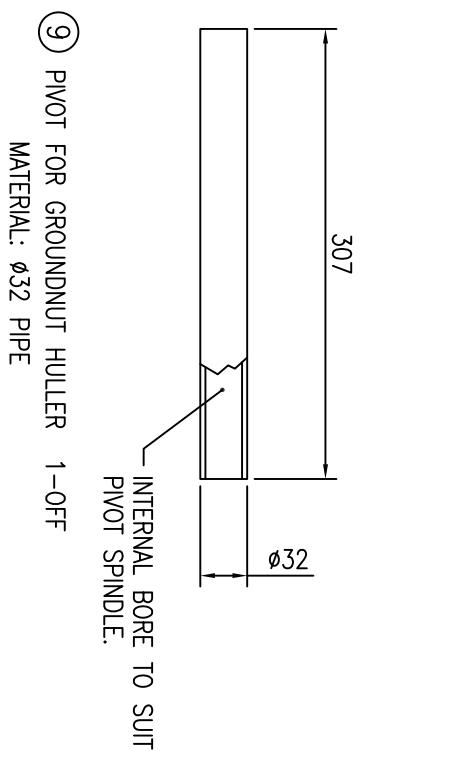


⑪ GRILL BARS FOR GROUNDNUT HULLER 22-OFF
MATERIAL: 25 x 3 FLAT BAR

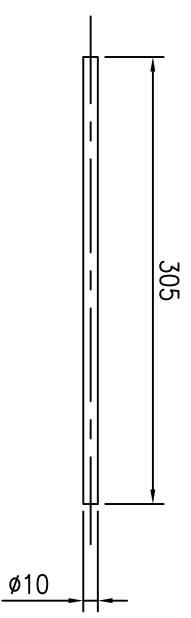
Apt GROUNDNUT HULLER	
TITLE: DETAILS	
SCALE: 1:5	PAGE: 4 of 7
DRAWN: ABATEC	CAD No: APT-10-4



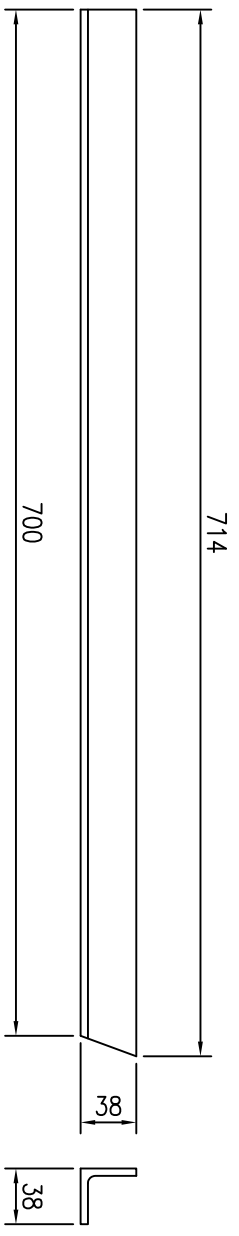
⑦⑥⑤ SPINDLE ASSEMBLY FOR GROUNDNUT HULLER 1-OFF



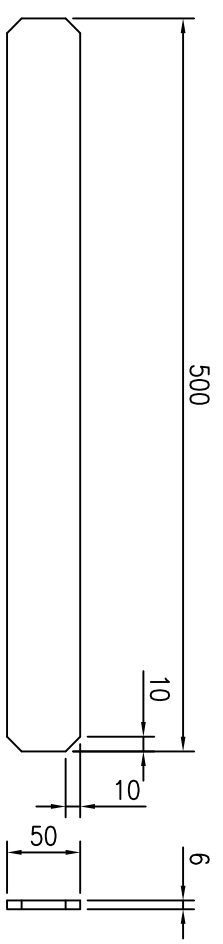
⑨ PIVOT FOR GROUNDNUT HULLER 1-OFF
MATERIAL: ø32 PIPE



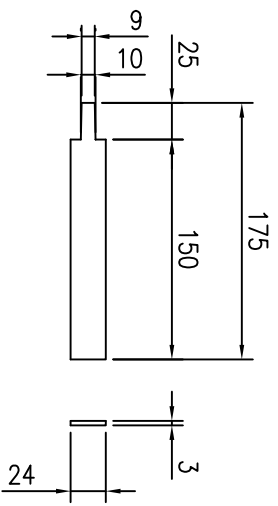
⑧ CRUSHER BAR FOR GROUNDNUT HULLER 16-OFF
MATERIAL: ø10 M.S. BAR



⑭ LEGS FOR GROUNDNUT HULLER 4-OFF
MATERIAL: 38 x 38 ANGLE

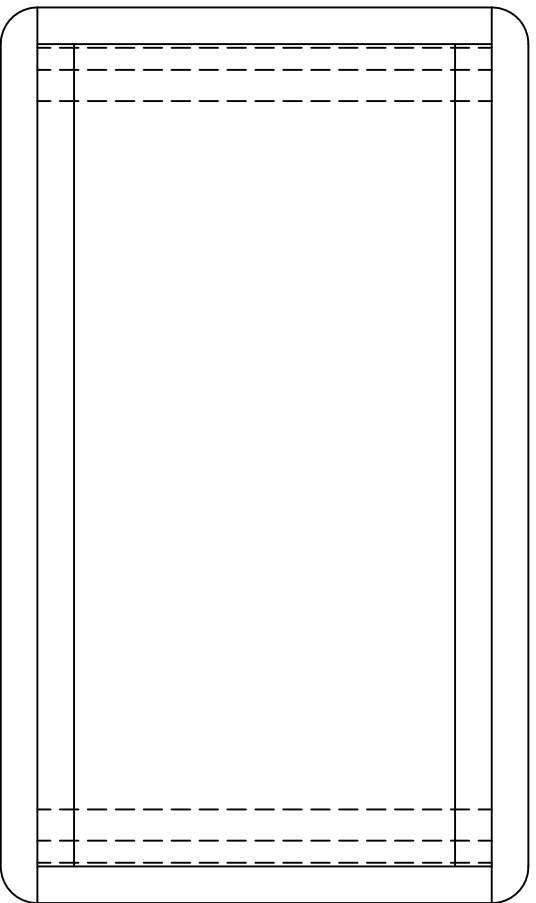
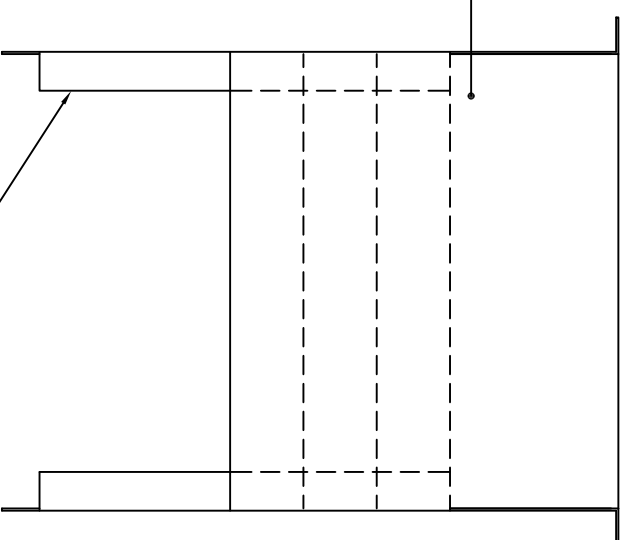
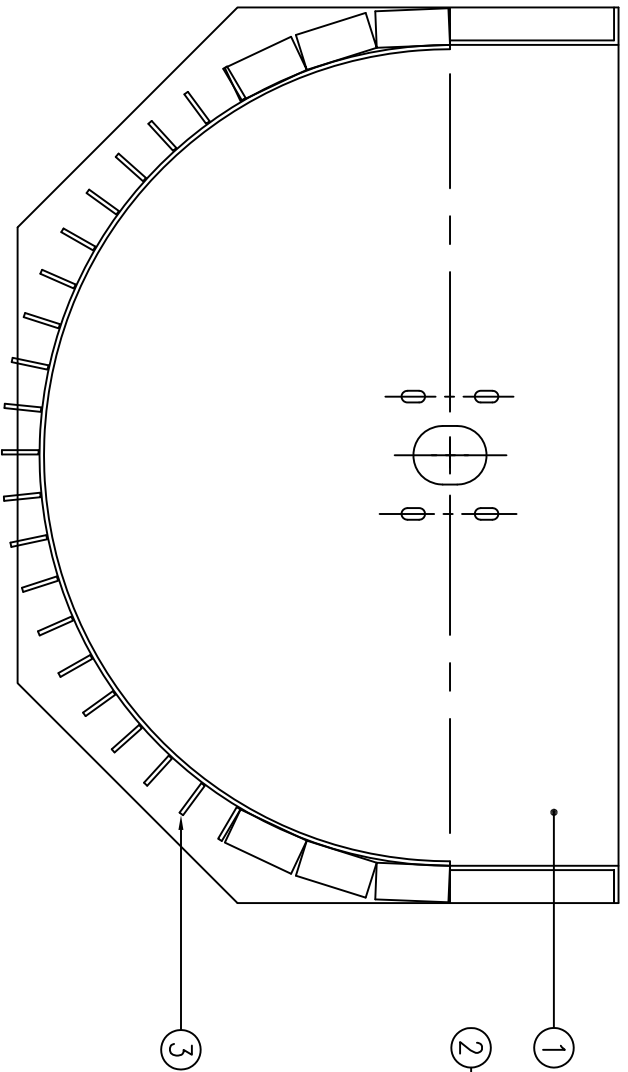


⑬ FEET FOR GROUNDNUT HULLER 2-OFF
MATERIAL: 50 x 6 FLAT BAR



⑮ JIG FOR POSITIONING GRILL BARS
MATERIAL: 25 x 3 FLAT BAR

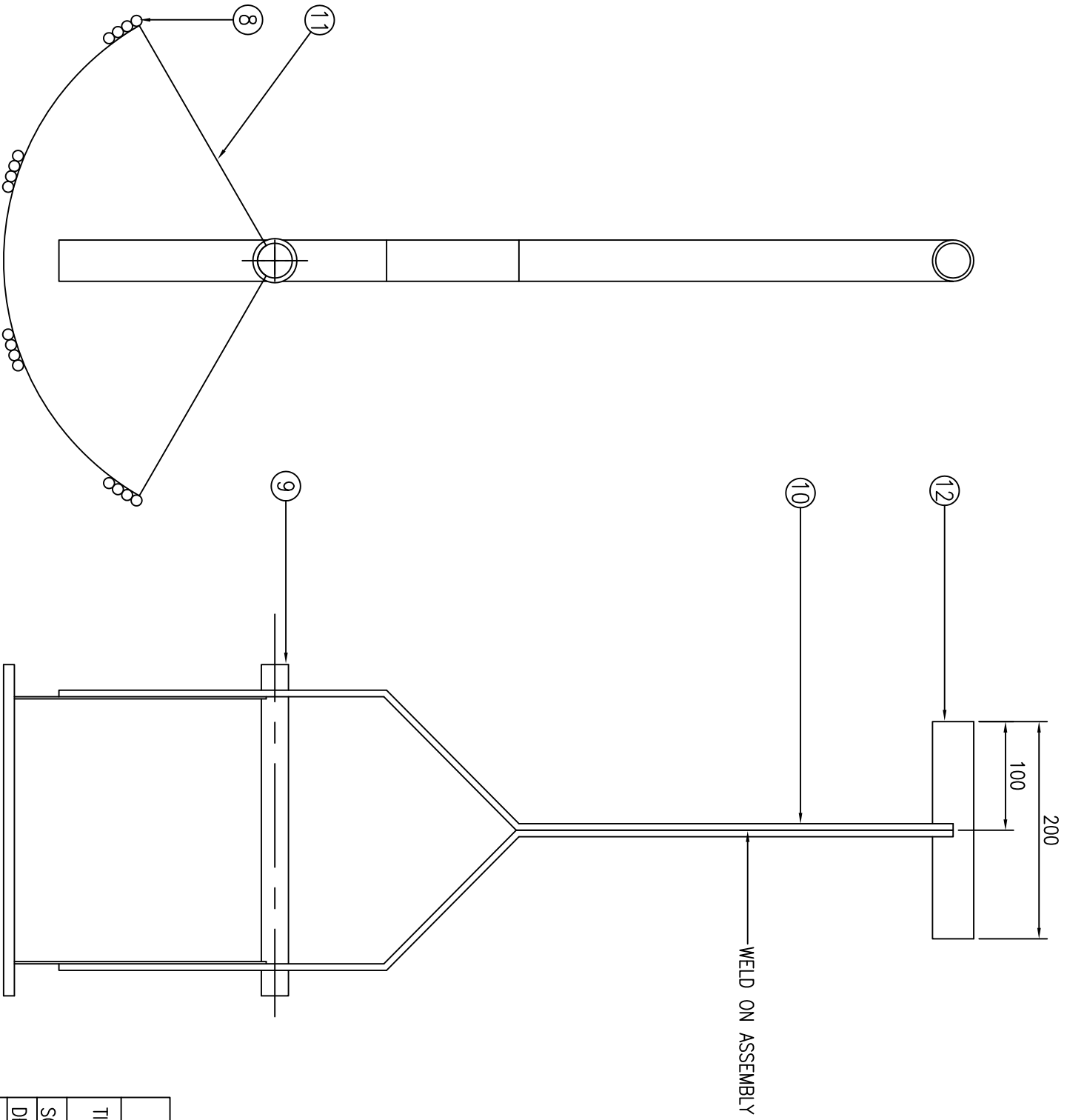
APT GROUNDNUT HULLER	
TITLE:	DETAILS
SCALE:	1:5
DRAWN:	ABATEC
PAGE:	5 of 7
CAD No:	APT-10-5



NOTE: USE JIG PLATE
WHEN FITTING GRILL.

SHT.4

APT GROUNDNUT HULLER	
TITLE: BOX ASSEMBLY	
SCALE: 1:5	
DRAWN: ABATEC	PAGE: 6 of 7
CAD No: APT-10-6	



APT GROUNDNUT HULLER		
TITLE: CRUSHER ASSEMBLY		
SCALE: 1:5		
DRAWN: ABATEC	PAGE: 7 of 7	
CAD No: APT-10-7		